



INDEX

PEEK Tubing	5	Polymeric Tubing PFA	24
PEEK Tubing 1/16"	6	Polymeric Tubing PTFE	25
PEEK Tubing 1/32"	8	Impermeable Tubing	27
PEEK Tubing 360 μ m	10	Thermo-Formed Polymeric Tubing	28
PEEK Tubing natural	11	PEEK Tubing Elbows	29
Premium Grade Stainless Steel Tubing	12	Tubing Clip – The LC Tubing Organizer	29
Stainless Steel Tubing	13	Clean-Cut Polymer Tubing Cutter	30
Pre-cut Stainless Steel Tubing	14	Guillotine Polymer Tubing Cutter	30
Pre-cut Stainless Steel Flexible Tubing	15	Stainless Steel Tubing Cutter	31
Polymeric Tubing	16	Stainless Steel Tubing Pliers	31
Polymeric Tubing FEP	17	Easy-Flange & Easy-Flange Combi-Kits	32
Polymeric Tubing ETFE	22		

Disclaimer

The maximum holding pressure for any type of connection involving tubing and a ferrule, varies considerably with the tubing material, the ferrule material, the clearance between tubing OD and ferrule ID and the shape of the fitting detail.

SPECS

Material
PEEK

Dimensions
OD and ID, see chart

Tolerances
360 μm (.014") OD PEEK tubing: ± 0.013 mm (.0005") on OD and ID

OD 1/32" PEEK tubing: ± 0.013 mm (.0005") on OD and ID

OD 1/16" PEEK tubing: ± 0.025 mm (.001") on OD and ID

OD 1/8" PEEK tubing: ± 0.05 mm (.002") on OD and ID

Pressure rating
See chart

Chemical resistance
See chart on page 118, ff

Max. recommended working temp.: $< 100^\circ\text{C}$ (continuous) for 1/16" OD tubing with ID up to 0.75 mm

Spares & Tools
A clean burr-free perpendicular cut can be achieved with the VICI Jour Clean-Cut tubing cutter JR-797 see page 30

To bend PEEK tubing at the optimum radius, use our Tubing Elbows on page 29

We recommend PEEK fingertight and flangeless fittings for your applications
Fingertight see page 35-40, 47-49
Flangeless see page 59-63

VICI Jour Sample Loops for analytical applications are made of Striped Color Coded Tubing (see page 109, ff)

PEEK Tubing Premium Grade

All PEEK tubing has Premium Grade tolerances e.g. 1/16" ± 0.001 "

- 360 μm , 1/32", 1/16", 1/8" and 1/4" OD tubing available
- Tighter tolerances
- Easy to cut
- Biocompatible

PEEK tubing has the strength required to withstand continuous use at HPLC pressure without swelling or bursting. The dense polymer structure of VICI Jour PEEK tubing eliminates the permeability to organic solvents that causes other polymer tubing, such as ETFE to "sweat". For easy identification of ID VICI Jour tubing is color coded. VICI recommends "Striped Color-Coded" tubing. It is manufactured of virgin, natural PEEK and therefore ensures maximum chemical resistance and biocompatibility. The color dye is applied only to the outer surface and thus not in contact with the fluid stream. "Solid Color-Coded" tubing however is made of pre-dyed raw material.

For all users that want to have biocompatibility and full colored PEEK tubing, VICI Jour introduced the DUAL LAYER PEEK tubing. Only natural PEEK is in contact with fluid stream.

Remember PEEK tubing is not affected by halide salts, high strength buffers or other aggressive mobile phases that degrade stainless steel. The polymer surface will not leach metal ions into the eluent or extract metal sensitive components from the sample. By far the most outstanding property is its excellent burst pressure.

Due to the tighter tolerances, VICI Jour PEEK tubing is the best choice for chromatography applications in which exact flow rates or tube volume are of importance. The tighter tolerance ensures a more consistent internal volume of the transfer lines.

PEEK is compatible with almost any of the solvents commonly used in HPLC. Dichloromethane, THF and DMSO may cause swelling in PEEK. Concentrated nitric and sulphuric acid will attack PEEK.

Recommended maximum working pressure PEEK tubing

OD	ID	bar	psi	OD	ID	bar	psi
360 μm	50 μm	358	5200	1/16"	0.050 mm	434	6300
	75 μm	345	5000		0.064 mm	434	6300
	100 μm	300	4400		0.075 mm	428	6200
	125 μm	275	4000		0.100 mm	420	6100
	150 μm	240	3500		0.13 mm	420	6100
1/32"	0.050 mm	414	6000	0.18 mm	400	5800	
	0.064 mm	414	6000	0.25 mm	386	5600	
	0.075 mm	414	6000	0.50 mm	310	4500	
	0.100 mm	414	6000	0.75 mm	240	3500	
	0.13 mm	379	5500	1.00 mm	165	2400	
	0.15 mm	365	5300	1.40 mm	52	750	
	0.18 mm	351	5100	1/8"	0.75 mm	345	5000
	0.20 mm	340	4900		1.59 mm	224	3250
	0.25 mm	310	4500		2.00 mm	165	2400
	0.38 mm	250	3600	1/4"	3.17 mm	227	3300
0.50 mm	193	2800					

PEEK Tubing – 1/16” OD

PEEK Tubing – Striped Color-Coded – 1/16” OD

Part No.	ID(mm)	Qty/pkg	Color
JR-T-5802-M3	0.050	3 m	orange
JR-T-5802-M5	0.050	5 m	orange
JR-T-5802-M10	0.050	10 m	orange
JR-T-5802-M25	0.050	25 m	orange
JR-T-5998C-M3	0.064	3 m	pink
JR-T-5998C-M5	0.064	5 m	pink
JR-T-5998C-M10	0.064	10 m	pink
JR-T-5998C-M25	0.064	25 m	pink
JR-T-5803-M3	0.075	3 m	green
JR-T-5803-M5	0.075	5 m	green
JR-T-5803-M10	0.075	10 m	green
JR-T-5803-M25	0.075	25 m	green
JR-T-5804-M3	0.100	3 m	black
JR-T-5804-M5	0.100	5 m	black
JR-T-5804-M10	0.100	10 m	black
JR-T-5804-M25	0.100	25 m	black
JR-T-5999-M3	0.13	3 m	red
JR-T-5999-M5	0.13	5 m	red
JR-T-5999-M10	0.13	10 m	red
JR-T-5999-M25	0.13	25 m	red
JR-T-6000-M3	0.18	3 m	yellow
JR-T-6000-M5	0.18	5 m	yellow
JR-T-6000-M10	0.18	10 m	yellow
JR-T-6000-M25	0.18	25 m	yellow
JR-T-6001-M3	0.25	3 m	blue
JR-T-6001-M5	0.25	5 m	blue
JR-T-6001-M10	0.25	10 m	blue
JR-T-6001-M25	0.25	25 m	blue
JR-T-6002-M3	0.50	3 m	orange
JR-T-6002-M5	0.50	5 m	orange
JR-T-6002-M10	0.50	10 m	orange
JR-T-6002-M25	0.50	25 m	orange
JR-T-6003-M3	0.75	3 m	green
JR-T-6003-M5	0.75	5 m	green
JR-T-6003-M10	0.75	10 m	green
JR-T-6003-M25	0.75	25 m	green
JR-T-60031-M3	1.00	3 m	grey
JR-T-60031-M5	1.00	5 m	grey
JR-T-60031-M10	1.00	10 m	grey
JR-T-60031-M25	1.00	25 m	grey
JR-T-60032-M3	1.40	3 m	black
JR-T-60032-M5	1.40	5 m	black
JR-T-60032-M10	1.40	10 m	black
JR-T-60032-M25	1.40	25 m	black



SPECS

Material
 PEEK

Dimensions

OD and ID, see chart

Tolerances

360 μ m (.014”) OD PEEK tubing: +/- 0.013 mm (.0005”) on OD and ID

OD 1/32” PEEK tubing: +/- 0.013 mm (.0005”) on OD and ID

OD 1/16” PEEK tubing: +/- 0.025mm (.001”) on OD and ID

OD 1/8” PEEK tubing: +/- 0.05 mm (.002”) on OD and ID

Pressure rating

See chart on page 5

Chemical resistance

See chart on page 118, ff

Max. recommended working temp.: < 100°C (continuous) for 1/16” OD tubing with ID up to 0.75 mm

Spares & Tools

A clean burr-free perpendicular cut can be achieved with the VICI Jour Clean-Cut tubing cutter JR-797 see page 30

To bend PEEK tubing at the optimum radius, use our Tubing Elbows on page 29

We recommend PEEK fingertight and flangeless fittings for your applications
 Fingertight see page 35–40, 47–49
 Flangeless see page 59–63

VICI Jour Sample Loops for analytical applications are made of Striped Color Coded Tubing (see page 109, ff)

Other pack sizes and tubing lengths are available on request. Please contact your local distributor or VICI directly.

SPECS

Material
PEEK

Dimensions
OD and ID, see chart

Tolerances
360 μm (.014”) OD PEEK tubing: +/- 0.013 mm (.0005”) on OD and ID

OD 1/32” PEEK tubing: +/- 0.013 mm (.0005”) on OD and ID

OD 1/16” PEEK tubing: +/- 0.025mm (.001”) on OD and ID

OD 1/8” PEEK tubing: +/- 0.05 mm (.002”) on OD and ID

Pressure rating
See chart on page 5

Chemical resistance
See chart on page 118, ff

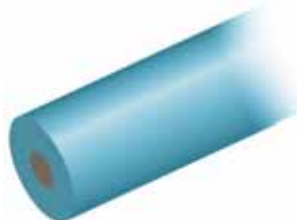
Max. recommended working temp.: < 100°C (continuous) for 1/16” OD tubing with ID up to 0.75 mm

Spares & Tools
A clean burr-free perpendicular cut can be achieved with the VICI Jour Clean-Cut tubing cutter JR-797 see page 30

To bend PEEK tubing at the optimum radius, use our Tubing Elbows on page 29

We recommend PEEK fingertight and flangeless fittings for your applications
Fingertight see page 35–40, 47–49
Flangeless see page 59–63

VICI Jour Sample Loops for analytical applications are made of Striped Color Coded Tubing (see page 109, ff)



PEEK Tubing – Solid Color-Coded – 1/16” OD

Part No.	ID (mm)	Qty/pkg	Color
JR-T-5998-M3	0.064	3 m	natural
JR-T-5998-M10	0.064	10 m	natural
JR-T-6007-M3	0.13	3 m	red
JR-T-6007-M10	0.13	10 m	red
JR-T-6008-M3	0.18	3 m	yellow
JR-T-6008-M10	0.18	10 m	yellow
JR-T-6009-M3	0.25	3 m	blue
JR-T-6009-M10	0.25	10 m	blue
JR-T-6010-M3	0.50	3 m	orange
JR-T-6010-M10	0.50	10 m	orange
JR-T-6011-M3	0.75	3 m	green
JR-T-6011-M10	0.75	10 m	green

Other pack sizes and tubing lengths are available on request. Please contact your local distributor or VICI directly.

Dual Layer PEEK Tubing – Color-Coded – 1/16” OD

Part No.	ID(mm)	Qty/pkg	Color
JR-TD-6007-M3	0.13	3 m	red
JR-TD-6007-M10	0.13	10 m	red
JR-TD-6008-M3	0.18	3 m	yellow
JR-TD-6008-M10	0.18	10 m	yellow
JR-TD-6009-M3	0.25	3 m	blue
JR-TD-6009-M10	0.25	10 m	blue
JR-TD-6010-M3	0.50	3 m	orange
JR-TD-6010-M10	0.50	10 m	orange
JR-TD-6011-M3	0.75	3 m	green
JR-TD-6011-M10	0.75	10 m	green

Other pack sizes and tubing lengths are available on request. Please contact your local distributor or VICI directly.

**Customized tubing on request! Please specify OD and ID.
Minimum Order Quantity 30 m.**

PEEK Tubing – 1/32" OD

PEEK Tubing – Striped Color-Coded – 1/32" OD

NEW

Part No.	ID(mm)	Qty/pkg	Color
JR-T-5702-M1	0.050	1 m	orange
JR-T-5702-M3	0.050	3 m	orange
JR-T-5764-M1	0.064	1 m	pink
JR-T-5764-M3	0.064	3 m	pink
JR-T-5703-M1	0.075	1 m	green
JR-T-5703-M3	0.075	3 m	green
JR-T-5704-M1	0.100	1 m	black
JR-T-5704-M3	0.100	3 m	black
JR-T-5705-M1	0.13	1 m	red
JR-T-5705-M3	0.13	3 m	red
JR-T-5706-M1	0.15	1 m	natural
JR-T-5706-M3	0.15	3 m	natural
JR-T-5707-M1	0.18	1 m	yellow
JR-T-5707-M3	0.18	3 m	yellow
JR-T-5710-M1	0.25	1 m	blue
JR-T-5710-M3	0.25	3 m	blue
JR-T-5720-M1	0.50	1 m	orange
JR-T-5720-M3	0.50	3 m	orange



Other pack sizes and tubing lengths are available on request. Please contact your local distributor or VICI directly.

Customized tubing on request! Please specify OD and ID. Minimum Order Quantity 30 m.

SPECS

Material
PEEK

Dimensions
OD and ID, see chart

Tolerances
360 μ m (.014") OD PEEK tubing: \pm 0.013 mm (.0005") on OD and ID

OD 1/32" PEEK tubing: \pm 0.013 mm (.0005") on OD and ID

OD 1/16" PEEK tubing: \pm 0.025mm (.002") on OD and ID

OD 1/8" PEEK tubing: \pm 0.05 mm (.002") on OD and ID

Pressure rating
See chart on page 5

Chemical resistance
See chart on page 118, ff

Max. recommended working temp.: < 100°C (continuous) for 1/16" OD tubing with ID up to 0.75 mm

Spares & Tools
A clean burr-free perpendicular cut can be achieved with the VICI Jour Clean-Cut tubing cutter JR-797 see page 30

To bend PEEK tubing at the optimum radius, use our Tubing Elbows on page 29

We recommend PEEK fingertight and flangeless fittings for your applications
Fingertight see page 35–40, 47–49
Flangeless see page 59–63

VICI Jour Sample Loops for analytical applications are made of Striped Color Coded Tubing (see page 109, ff)

SPECS

Material
PEEK

Dimensions
OD and ID, see chart

Tolerances
360 μm (.014") OD PEEK tubing: \pm 0.013 mm (.0005") on OD and ID

OD 1/32" PEEK tubing: \pm 0.013 mm (.0005") on OD and ID

OD 1/16" PEEK tubing: \pm 0.025mm (.001") on OD and ID

OD 1/8" PEEK tubing: \pm 0.05 mm (.002") on OD and ID

Pressure rating
See chart on page 5

Chemical resistance
See chart on page 118, ff

Max. recommended working temp.: $< 100^{\circ}\text{C}$ (continuous) for 1/16" OD tubing with ID up to 0.75 mm

Spares & Tools
A clean burr-free perpendicular cut can be achieved with the VICI Jour Clean-Cut tubing cutter JR-797 see page 30

To bend PEEK tubing at the optimum radius, use our Tubing Elbows on page 29

We recommend PEEK fingertight and flangeless fittings for your applications
Fingertight see page 35–40, 47–49
Flangeless see page 59–63

VICI Jour Sample Loops for analytical applications are made of Striped Color Coded Tubing (see page 109, ff)



PEEK Tubing – Solid Color-Coded – 1/32" OD

NEW

Part No.	ID (mm)	Qty/pkg	Color
JR-T-5602-M1	0.050	1 m	orange
JR-T-5602-M3	0.050	3 m	orange
JR-T-5664-M1	0.064	1 m	pink
JR-T-5664-M3	0.064	3 m	pink
JR-T-5603-M1	0.075	1 m	green
JR-T-5603-M3	0.075	3 m	green
JR-T-5604-M1	0.100	1 m	black
JR-T-5604-M3	0.100	3 m	black
JR-T-5993-M3	0.13	3 m	natural
JR-T-5993-M10	0.13	10 m	natural
JR-T-5605-M1	0.13	1 m	red
JR-T-5605-M3	0.13	3 m	red
JR-T-5606-M1	0.15	1 m	purple
JR-T-5606-M3	0.15	3 m	purple
JR-T-5994-M3	0.18	3 m	natural
JR-T-5994-M10	0.18	10 m	natural
JR-T-5607-M1	0.18	1 m	yellow
JR-T-5607-M3	0.18	3 m	yellow
JR-T-5608-M1	0.20	1 m	orange
JR-T-5608-M3	0.20	3 m	orange
JR-T-5995-M3	0.25	3 m	natural
JR-T-5995-M10	0.25	10 m	natural
JR-T-5610-M1	0.25	1 m	blue
JR-T-5610-M3	0.25	3 m	blue
JR-T-5715-M3	0.38	3 m	natural
JR-T-5715-M10	0.38	10 m	natural
JR-T-5620-M1	0.50	1 m	orange
JR-T-5620-M3	0.50	3 m	orange

Other pack sizes and tubing lengths are available on request. Please contact your local distributor or VICI directly.

Customized tubing on request! Please specify OD and ID. Minimum Order Quantity 30 m.

Tubing for Chromatography

PEEK Tubing – 360 µm OD

PEEK Tubing – Striped Color-Coded – 360 µm OD

NEW

Part No.	ID (µm)	Qty/pkg	Color
JR-T-3650-M1	50	1 m	orange
JR-T-3650-M3	50	3 m	orange
JR-T-3675-M1	75	1 m	green
JR-T-3675-M3	75	3 m	green
JR-T-36100-M1	100	1 m	grey
JR-T-36100-M3	100	3 m	grey
JR-T-36125-M1	125	1 m	red
JR-T-36125-M3	125	3 m	red
JR-T-36150-M1	150	1 m	black
JR-T-36150-M3	150	3 m	black

Other pack sizes and tubing lengths are available on request. Please contact your local distributor or VICI directly.

PEEK Tubing – Solid Color-Coded – 360 µm OD

NEW

Part No.	ID (µm)	Qty/pkg	Color
JR-T-3750-M1	50	1 m	orange
JR-T-3750-M3	50	3 m	orange
JR-T-6060-M3	75	3 m	natural
JR-T-6060-M10	75	10 m	natural
JR-T-3775-M1	75	1 m	green
JR-T-3775-M3	75	3 m	green
JR-T-37100-M1	100	1 m	grey
JR-T-37100-M3	100	3 m	grey
JR-T-37125-M1	125	1 m	red
JR-T-37125-M3	125	3 m	red
JR-T-37150-M1	150	1 m	black
JR-T-37150-M3	150	3 m	black

Other pack sizes and tubing lengths are available on request. Please contact your local distributor or VICI directly.

**Customized tubing on request! Please specify OD and ID.
Minimum Order Quantity 30 m.**



SPECS

Material
PEEK

Dimensions

OD and ID, see chart

Tolerances

360 µm (.014") OD PEEK tubing: +/- 0.013 mm (.0005") on OD and ID

OD 1/32" PEEK tubing: +/- 0.013 mm (.0005") on OD and ID

OD 1/16" PEEK tubing: +/- 0.025mm (.001") on OD and ID

OD 1/8" PEEK tubing: +/- 0.05 mm (.002") on OD and ID

Pressure rating

See chart on page 5

Chemical resistance

See chart on page 118, ff

Max. recommended working temp.: < 100°C (continuous) for 1/16" OD tubing with ID up to 0.75 mm

Spares & Tools

A clean burr-free perpendicular cut can be achieved with the VICI Jour Clean-Cut tubing cutter JR-797 see page 30

To bend PEEK tubing at the optimum radius, use our Tubing Elbows on page 29

We recommend PEEK fingertight and flangeless fittings for your applications
Fingertight see page 35–40, 47–49
Flangeless see page 59–63

VICI Jour Sample Loops for analytical applications are made of Striped Color Coded Tubing (see page 109, ff)

SPECS

Material
PEEK

Dimensions
OD and ID, see chart

Tolerances
360 μm (.014") OD PEEK tubing: \pm 0.013 mm (.0005") on OD and ID

OD 1/32" PEEK tubing: \pm 0.013 mm (.0005") on OD and ID

OD 1/16" PEEK tubing: \pm 0.025mm (.001") on OD and ID

OD 1/8" PEEK tubing: \pm 0.05 mm (.002") on OD and ID

Pressure rating
See chart on page 5

Chemical resistance
See chart on page 118, ff

Max. recommended working temp.: $< 100^{\circ}\text{C}$ (continuous) for 1/16" OD tubing with ID up to 0.75 mm

Spares & Tools
A clean burr-free perpendicular cut can be achieved with the VICI Jour Clean-Cut tubing cutter JR-797 see page 30

To bend PEEK tubing at the optimum radius, use our Tubing Elbows on page 29

We recommend PEEK fingertight and flangeless fittings for your applications
Fingertight see page 35-40, 47-49
Flangeless see page 59-63

VICI Jour Sample Loops for analytical applications are made of Striped Color Coded Tubing (see page 109, ff)

PEEK Tubing – natural

Part No.	OD	ID (mm)	Qty/pkg
JR-T-6004-M3	1/8"	1.59	3 m
JR-T-6004-M10	1/8"	1.59	10 m
JR-T-60041-M3	1/8"	0.75	3 m
JR-T-60041-M10	1/8"	0.75	10 m
JR-T-60042-M3	1/8"	2	3 m
JR-T-60042-M10	1/8"	2	10 m
JR-T-6006	1/4"	3.17	per m

Other pack sizes and tubing lengths are available on request. Please contact your local distributor or VICI directly.

**Customized tubing on request! Please specify OD and ID.
Minimum Order Quantity 30 m.**



Premium Grade Stainless Steel Tubing

Premium Grade Stainless Steel Tubing

- Premium Grade – seamless
- Variety of sizes for HPLC and GC applications
- Smooth internal surface
- Soft annealed OD for easy ferrule connections

Premium Grade Stainless Steel Tubing 1/32" OD

Part No.	OD	ID	Qty/pkg
JR-TSS.505-M3	1/32"	0.13	3 m
JR-TSS.505-M10	1/32"	0.13	10 m
JR-TSS.507-M3	1/32"	0.18	3 m
JR-TSS.507-M10	1/32"	0.18	10 m
JR-TSS.510-M3	1/32"	0.25	3 m
JR-TSS.510-M10	1/32"	0.25	10 m
JR-TSS.520-M3	1/32"	0.50	3 m
JR-TSS.520-M10	1/32"	0.50	10 m

Premium Grade Stainless Steel Tubing 1/16" OD

Part No.	OD	ID	Qty/pkg
JR-TSS105-M3	1/16"	0.13	3 m
JR-TSS105-M10	1/16"	0.13	10 m
JR-TSS110-M3	1/16"	0.25	3 m
JR-TSS110-M10	1/16"	0.25	10 m
JR-TSS115-M3	1/16"	0.38	3 m
JR-TSS115-M10	1/16"	0.38	10 m
JR-TSS120-M3	1/16"	0.50	3 m
JR-TSS120-M10	1/16"	0.50	10 m
JR-TSS130-M3	1/16"	0.75	3 m
JR-TSS130-M10	1/16"	0.75	10 m
JR-TSS140-M3	1/16"	1.00	3 m
JR-TSS140-M10	1/16"	1.00	10 m

Premium Grade Stainless Steel Tubing 1/8" OD

Part No.	OD	ID	Qty/pkg
JR-TSS230-M3	1/8"	0.75	3 m
JR-TSS230-M10	1/8"	0.75	10 m
JR-TSS240-M3	1/8"	1.00	3 m
JR-TSS240-M10	1/8"	1.00	10 m
JR-TSS260-M3	1/8"	1.52	3 m
JR-TSS260-M10	1/8"	1.52	10 m
JR-TSS267-M3	1/8"	1.70	3 m
JR-TSS267-M10	1/8"	1.70	10 m
JR-TSS285-M3	1/8"	2.16	3 m
JR-TSS285-M10	1/8"	2.16	10 m

SPECS

Material
SS316, seamless

Dimensions
See chart

Tolerances
OD: +/- 0.05 mm (.002")
ID: +/- 0.025 mm (.001")

Pressure rating
1/32" OD tubing:
varies with ID, min. 400 bar
(5800 psi)

1/16" OD tubing:
varies with ID, min. 365 bar
(5300 psi)

1/8" OD tubing:
varies with ID, min. 315 bar
(4600 psi)

Tech Tip
We recommend Pre-Cut
Stainless Steel Tubing for
zero-dead volume connec-
tions (see page 14–15)

Note
ID dimensions in mm are
converted from nominal
inch dimensions

SPECS

Material

SS316, welded under inert gas

Dimensions

See chart

Tolerances

ID and OD +/- 0.05 mm (.002")

Pressure rating

For 1/16" and 1/8" OD tubing: varies with ID, min 315 bar (4600 psi)

Tech Tip

We recommend Pre-Cut Stainless Steel Tubing for Zero-Dead Volume Connections (see page 14–15)

Stainless Steel Tubing

- Variety of sizes for HPLC and GC applications
- Smooth internal surface
- Soft annealed OD for easy ferrule connections

Stainless Steel Tubing 1/16" OD

Part No.	ID (mm)	Qty/pkg
JR-T-625-04-M3	0.13	3 m
JR-T-625-04-M10	0.13	10 m
JR-T-625-05-M3	0.18	3 m
JR-T-625-05-M10	0.18	10 m
JR-T-625-10-M3	0.25	3 m
JR-T-625-10-M10	0.25	10 m
JR-T-625-20-M3	0.50	3 m
JR-T-625-20-M10	0.50	10 m
JR-T-625-30-M3	0.75	3 m
JR-T-625-30-M10	0.75	10 m
JR-T-625-40-M3	1.00	3 m
JR-T-625-40-M10	1.00	10 m

Stainless Steel Tubing 1/8" OD

Part No.	ID (mm)	Qty/pkg
JR-T-626-00-M3	2.1	3 m
JR-T-626-00-M10	2.1	10 m

Stainless Steel Tubing 1/4" OD

Part No.	ID (mm)	Qty/pkg
JR-T-628-00	4.65	per m



Pre-cut Stainless Steel Tubing

Pre-cut Stainless Steel Tubing

- For zero dead volume connections
- Ready to use
- Cleaned
- Soft annealed OD for easy ferrule connections

VICI Jour offers pre-cut stainless steel tubing in lengths most commonly required in HPLC systems. These tubes are cut to square, burr-free ends for zero dead volume connections.

VICI pre-cut tubing is specially steam cleaned to remove both organic and inorganic contaminants. Furthermore softer free PE caps are used to avoid the contamination of the tubing.



Pre-cut Stainless Steel Tubing 1/16" OD

Part No.	ID (mm)	Color	Length (mm)
JR-T-97005	0.13	red	50
JR-T-97010	0.13	red	100
JR-T-97015	0.13	red	200
JR-T-97020	0.13	red	300
JR-T-97025	0.18	yellow	50
JR-T-97030	0.18	yellow	100
JR-T-97035	0.18	yellow	200
JR-T-97040	0.18	yellow	300
JR-T-97045	0.25	blue	50
JR-T-97055	0.25	blue	100
JR-T-97060	0.25	blue	200
JR-T-97065	0.25	blue	300
JR-T-97075	0.50	orange	50
JR-T-97080	0.50	orange	100
JR-T-97085	0.50	orange	200
JR-T-97090	0.50	orange	300
JR-T-97095	0.75	green	50
JR-T-97100	0.75	green	100
JR-T-97105	0.75	green	200
JR-T-97110	0.75	green	300

SPECS

Material
Tubing: SS316, seamless
Caps: Polyethylene

Dimensions
OD: 1/16", ID see chart

Tolerances
OD: +/- 0.05 mm (.002")
ID: +/- 0.025 mm (.001")

Pressure rating
For 1/16" OD tubing:
Varies with ID, min. 365 bar
(5300 psi)

Spares & Tools
We recommend our Stainless Steel Fittings on page 50

Pre-cut Stainless Steel Flexible Tubing

SPECS

Material

Tubing: SS316, seamless
Caps: Polyethylene

Tolerances

OD: +/- 0.05 mm (.002")
ID: +/- 0.025 mm (.001")

Pressure rating

For 1/32" OD tubing:
Varies with ID, min. 400 bar
(5800 psi)

For 1/16" OD tubing:
Varies with ID, min. 365 bar
(5300 psi)

Spares & Tools

We recommend our Stainless Steel Fittings on page 50



Pre-cut Stainless Steel Flexible Tubing NEW

- For zero dead volume connections
- Ready to use
- Cleaned
- Soft annealed OD for easy ferrule connections

VICI Jour offers pre-cut stainless steel flexible tubing in lengths most commonly required in HPLC systems. All tubes are made of **1/32" Premium Grade Stainless Steel** tubing.

These tubes are cut to square, burr-free ends for zero dead volume connections. The ends are laserwelded into 1/16" OD SS tubing.

VICI pre-cut tubing is specially steam cleaned to remove both organic and inorganic contaminants.

Furthermore softener free PE caps are used to avoid the contamination of the tubing.

Pre-cut Stainless Steel Tubing 1/32" OD

Part No.	ID (mm)	Color	Length (mm)
JR-T-96005	0.13	red	105
JR-T-96010	0.13	red	150
JR-T-96015	0.13	red	200
JR-T-96020	0.13	red	280
JR-T-96025	0.13	red	400
JR-T-96030	0.13	red	600
JR-T-96035	0.13	red	700
JR-T-96040	0.13	red	800
JR-T-96105	0.18	yellow	105
JR-T-96110	0.18	yellow	150
JR-T-96115	0.18	yellow	200
JR-T-96120	0.18	yellow	280
JR-T-96125	0.18	yellow	400
JR-T-96130	0.18	yellow	600
JR-T-96135	0.18	yellow	700
JR-T-96140	0.18	yellow	800
JR-T-96205	0.25	blue	105
JR-T-96210	0.25	blue	150
JR-T-96215	0.25	blue	200
JR-T-96220	0.25	blue	280
JR-T-96225	0.25	blue	400
JR-T-96230	0.25	blue	600
JR-T-96235	0.25	blue	700
JR-T-96240	0.25	blue	800
JR-T-96305	0.50	orange	105
JR-T-96310	0.50	orange	150
JR-T-96315	0.50	orange	200
JR-T-96320	0.50	orange	280
JR-T-96325	0.50	orange	400
JR-T-96330	0.50	orange	600
JR-T-96335	0.50	orange	700
JR-T-96340	0.50	orange	800

Polymeric Tubing

Polymeric Tubing

- For low and mid pressure applications
- Biocompatible

FEP tubing

FEP (FluorinatedEthylenePropylene) is chemically inert to most HPLC solvents and is recommended for low pressure applications. Typically 1/16" OD holds up to 117 bar (1700 psi) and 1/8" holds up to 70 bar (1000 psi). We recommend FEP for ion chromatography applications. Max. operating temperature for FEP is 80°C. FEP tubing is also available in a color-coded version.

ETFE tubing

ETFE tubing has some outstanding properties which makes it particularly suitable for HPLC since it has a higher burst pressure when compared to PTFE. The most common dimension is 1/16" x 0.25 mm which will withstand up to 186 bar (2700 psi) using water as mobile phase. It is important, however, to note that when using ETFE with organic solvents it may swell and will reduce the max. pressure to 70 bar (1000 psi). It is the ideal polymer for applications with chloride salts, which typically corrode stainless steel.

PFA tubing

PFA tubing (PerFluoroAlkoxy) has excellent chemical stability and mechanical strength. Always use PFA instead of PTFE if gas permeability is an issue. 1/16" OD high purity tubing has a maximum pressure rating of up to 100 bar (1450 psi), while 1/8" OD maximum 72 bar (1050 psi).

PTFE tubing

PTFE tubing (PolyTetraFluoroEthylene) is chemically inert and suitable for lower pressure applications. Typically 1/16" OD tubing holds up to 62 bar (900 psi) and 1/8" up to 35 bar (500 psi).

For easy identification of the ID and to differentiate the transfer lines, PTFE tubing is available in a color-coded version.

Maximum continuous operating temperature is 100°C.

black PTFE tubing

PTFE is too translucent and for certain light sensitive applications the use of black PTFE tubing is recommended. Typical applications:

- light sensitive enzymatic reactions
- luminescent reactions
- connections to the flow-cell
- radioactive HPLC



SPECS

Material
FEP

Dimensions
See chart

Tolerances
360 μm (0.014") OD tubing
OD: \pm 0.013 mm (.0005")
ID: \pm 0.013 mm (.0005")

1/32" OD tubing
OD: \pm 0.013 mm (.0005")
ID: \pm 0.013 mm (.0005")

1/16" OD tubing
OD: \pm 0.05 mm (.002")
ID: \pm 0.05 mm (.002")

1/8" OD tubing
OD: \pm 0.10 mm (.004")
ID: \pm 0.10 mm (.004")

3/16" OD tubing
OD: \pm 0.10 mm (0.004")
ID: \pm 0.10 mm (0.004")

1/4" OD tubing
OD: \pm 0.10 mm (0.004")
ID: \pm 0.10 mm (0.004")

Pressure rating
See chart on page 19

Chemical resistance
See chart on page 118, ff

Special Info
Low pressure applications:
Check carefully for gas permeability

Spares & Tools
The VICI Jour Clean-Cut tubing cutter JR-797 gives you burr-free perpendicular cuts (see page 30)

We recommend fingertight and flangeless fittings for your applications
Fingertight page 35–40
Flangeless page 59–63

FEP Tubing

FEP tubing natural 1/16" OD

Part No.	ID (mm)	Qty/pkg
JR-T-6704-M3	0.10	3 m
JR-T-6704-M10	0.10	10 m
JR-T-6704-M25	0.10	25 m
JR-T-6705-M3	0.13	3 m
JR-T-6705-M10	0.13	10 m
JR-T-6705-M25	0.13	25 m
JR-T-6706-M3	0.15	3 m
JR-T-6706-M10	0.15	10 m
JR-T-6706-M25	0.15	25 m
JR-T-6707-M3	0.18	3 m
JR-T-6707-M10	0.18	10 m
JR-T-6707-M25	0.18	25 m
JR-T-6708-M3	0.20	3 m
JR-T-6708-M10	0.20	10 m
JR-T-6708-M25	0.20	25 m
JR-T-6812-M3	0.25	3 m
JR-T-6812-M10	0.25	10 m
JR-T-6812-M25	0.25	25 m
JR-T-6802-M3	0.50	3 m
JR-T-6802-M10	0.50	10 m
JR-T-6802-M25	0.50	25 m
JR-T-6803-M3	0.75	3 m
JR-T-6803-M10	0.75	10 m
JR-T-6803-M25	0.75	25 m
JR-T-6806-M3	1.00	3 m
JR-T-6806-M10	1.00	10 m
JR-T-6806-M25	1.00	25 m

Other pack sizes and tubing lengths are available on request.
Please contact your local distributor or VICI directly.

Customized tubing on request! Please specify OD and ID.
Minimum Order Quantity 30 m.

Polymeric Tubing

FEP tubing – Solid Color-Coded 1/16" OD

NEW

Part No.	ID (mm)	Color	Qty/pkg
JR-T-6704C-M3	0.10	black	3 m
JR-T-6704C-M10	0.10	black	10 m
JR-T-6704C-M25	0.10	black	25 m
JR-T-6705C-M3	0.13	red	3 m
JR-T-6705C-M10	0.13	red	10 m
JR-T-6705C-M25	0.13	red	25 m
JR-T-6706C-M3	0.15	purple	3 m
JR-T-6706C-M10	0.15	purple	10 m
JR-T-6706C-M25	0.15	purple	25 m
JR-T-6707C-M3	0.18	yellow	3 m
JR-T-6707C-M10	0.18	yellow	10 m
JR-T-6707C-M25	0.18	yellow	25 m
JR-T-6812C-M3	0.25	blue	3 m
JR-T-6812C-M10	0.25	blue	10 m
JR-T-6812C-M25	0.25	blue	25 m
JR-T-6802C-M3	0.50	orange	3 m
JR-T-6802C-M10	0.50	orange	10 m
JR-T-6802C-M25	0.50	orange	25 m
JR-T-6803C-M3	0.75	green	3 m
JR-T-6803C-M10	0.75	green	10 m
JR-T-6803C-M25	0.75	green	25 m
JR-T-6806C-M3	1.00	black	3 m
JR-T-6806C-M10	1.00	black	10 m
JR-T-6806C-M25	1.00	black	25 m

Other pack sizes and tubing lengths are available on request. Please contact your local distributor or VICI directly.

Customized tubing on request! Please specify OD and ID.
Minimum Order Quantity 30 m.



SPECS

Material
FEP

Dimensions
See chart

Tolerances
360 μ m (0.014") OD tubing
OD: \pm 0.013 mm (.0005")
ID: \pm 0.013 mm (.0005")

1/32" OD tubing
OD: \pm 0.013 mm (.0005")
ID: \pm 0.013 mm (.0005")

1/16" OD tubing
OD: \pm 0.05 mm (.002")
ID: \pm 0.05 mm (.002")

1/8" OD tubing
OD: \pm 0.10 mm (.004")
ID: \pm 0.10 mm (.004")

3/16" OD tubing
OD: \pm 0.10 mm (0.004")
ID: \pm 0.10 mm (0.004")

1/4" OD tubing
OD: \pm 0.10 mm (0.004")
ID: \pm 0.10 mm (0.004")

Pressure rating
See chart on page 19

Chemical resistance
See chart on page 118, ff

Special Info
Low pressure applications:
Check carefully for gas permeability

Spares & Tools
The VICI Jour Clean-Cut tubing cutter JR-797 gives you burr-free perpendicular cuts (see page 30)

We recommend fingertight and flangeless fittings for your applications
Fingertight page 35–40
Flangeless page 59–63

SPECS

Material
FEP

Dimensions
See chart

Tolerances
360 μm (0.014") OD tubing
OD: \pm 0.013 mm (.0005")
ID: \pm 0.013 mm (.0005")

1/32" OD tubing
OD: \pm 0.013 mm (.0005")
ID: \pm 0.013 mm (.0005")

1/16" OD tubing
OD: \pm 0.05 mm (.002")
ID: \pm 0.05 mm (.002")

1/8" OD tubing
OD: \pm 0.10 mm (.004")
ID: \pm 0.10 mm (.004")

3/16" OD tubing
OD: \pm 0.10 mm (0.004")
ID: \pm 0.10 mm (0.004")

1/4" OD tubing
OD: \pm 0.10 mm (0.004")
ID: \pm 0.10 mm (0.004")

Pressure rating
See chart on page 19

Chemical resistance
See chart on page 118, ff

Special Info
Low pressure applications:
Check carefully for gas permeability

Spares & Tools
The VICI Jour Clean-Cut tubing cutter JR-797 gives you burr-free perpendicular cuts (see page 30)

We recommend fingertight and flangeless fittings for your applications
Fingertight page 35–40
Flangeless page 59–63

FEP tubing natural 1/32" OD

Part No.	ID (mm)	Qty/pkg
JR-T-6794-M1	0.10	1 m
JR-T-6794-M3	0.10	3 m
JR-T-6794-M10	0.10	10 m
JR-T-6605-M1	0.13	1 m
JR-T-6605-M3	0.13	3 m
JR-T-6605-M10	0.13	10 m
JR-T-6606-M1	0.15	1 m
JR-T-6606-M3	0.15	3 m
JR-T-6606-M10	0.15	10 m
JR-T-6607-M1	0.18	1 m
JR-T-6607-M3	0.18	3 m
JR-T-6607-M10	0.18	10 m
JR-T-6610-M1	0.25	1 m
JR-T-6610-M3	0.25	3 m
JR-T-6610-M10	0.25	10 m
JR-T-6615-M1	0.38	1 m
JR-T-6615-M3	0.38	3 m
JR-T-6615-M10	0.38	10 m
JR-T-6620-M1	0.50	1 m
JR-T-6620-M3	0.50	3 m
JR-T-6620-M10	0.50	10 m

Other pack sizes and tubing lengths are available on request.
Please contact your local distributor or VICI directly.

Customized tubing on request! Please specify OD and ID.
Minimum Order Quantity 30 m.

Recommended maximum working pressure FEP tubing

OD	ID	bar	psi	OD	ID	bar	psi
1/32"	0.10 mm	82	1200	1/8"	1.59 mm	69	1000
	0.13 mm	78	1100		2.10 mm	41	600
	0.15 mm	78	1100		2.40 mm	30	345
	0.18 mm	72	1050				
	0.25 mm	68	980	3/16"	3.18 mm	41	600
	0.38 mm	51	750				
	0.50 mm	35	500	1/4"	4.35 mm	45	650
1/16"	0.10 mm	124	1800	1 mm	0.50 mm	62	900
	0.13 mm	124	1800				
	0.15 mm	117	1700	2 mm	1.00 mm	62	900
	0.18 mm	117	1700				
	0.20 mm	117	1700	3 mm	1.00 mm	82	1200
	0.25 mm	117	1700				
	0.50 mm	96	1400				
	0.75 mm	76	1400				
	1.00 mm	52	750				

Polymeric Tubing

FEP tubing – Solid Color-Coded 1/32" OD

NEW

Part No.	ID (mm)	Color	Qty/pkg
JR-T-6604C-M3	0.10	black	3 m
JR-T-6604C-M10	0.10	black	10 m
JR-T-6604C-M25	0.10	black	25 m
JR-T-6605C-M3	0.13	red	3 m
JR-T-6605C-M10	0.13	red	10 m
JR-T-6605C-M25	0.13	red	25 m
JR-T-6606C-M3	0.15	purple	3 m
JR-T-6606C-M10	0.15	purple	10 m
JR-T-6606C-M25	0.15	purple	25 m
JR-T-6607C-M3	0.18	yellow	3 m
JR-T-6607C-M10	0.18	yellow	10 m
JR-T-6607C-M25	0.18	yellow	25 m
JR-T-6610C-M3	0.25	blue	3 m
JR-T-6610C-M10	0.25	blue	10 m
JR-T-6610C-M25	0.25	blue	25 m
JR-T-6620C-M3	0.50	orange	3 m
JR-T-6620C-M10	0.50	orange	10 m
JR-T-6620C-M25	0.50	orange	25 m



SPECS

Material
FEP

Dimensions
See chart

Tolerances
360 μ m (0.014") OD tubing
OD: \pm 0.013 mm (.0005")
ID: \pm 0.013 mm (.0005")

1/32" OD tubing
OD: \pm 0.013 mm (.0005")
ID: \pm 0.013 mm (.0005")

1/16" OD tubing
OD: \pm 0.05 mm (.002")
ID: \pm 0.05 mm (.002")

1/8" OD tubing
OD: \pm 0.10 mm (.004")
ID: \pm 0.10 mm (.004")

3/16" OD tubing
OD: \pm 0.10 mm (0.004")
ID: \pm 0.10 mm (0.004")

1/4" OD tubing
OD: \pm 0.10 mm (0.004")
ID: \pm 0.10 mm (0.004")

Pressure rating
See chart on page 19

Chemical resistance
See chart on page 118, ff

Special Info
Low pressure applications:
Check carefully for gas permeability

Spares & Tools
The VICI Jour Clean-Cut tubing cutter JR-797 gives you burr-free perpendicular cuts (see page 30)

We recommend fingertight and flangeless fittings for your applications
Fingertight page 35–40
Flangeless page 59–63

FEP tubing natural 1/8" OD

Part No.	ID (mm)	Qty/pkg
JR-T-6804-M3	1.59	3 m
JR-T-6804-M10	1.59	10 m
JR-T-6804-M25	1.59	25 m
JR-T-6813-M3	2.1	3 m
JR-T-6813-M10	2.1	10 m
JR-T-6813-M25	2.1	25 m
JR-T-6814-M3	2.4	3 m
JR-T-6814-M10	2.4	10 m
JR-T-6814-M25	2.4	25 m

FEP tubing natural 3/16" OD

Part No.	ID (mm)	Qty/pkg
JR-T-6835-M3	3.18	3 m
JR-T-6835-M10	3.18	10 m
JR-T-6835-M25	3.18	25 m

Other pack sizes and tubing lengths are available on request. Please contact your local distributor or VICI directly.

Customized tubing on request! Please specify OD and ID.
Minimum Order Quantity 30 m.

SPECS

Material
FEP

Dimensions
See chart

Tolerances

360 μm (0.014") OD tubing
OD: \pm 0.013 mm (.0005")
ID: \pm 0.013 mm (.0005")

1/32" OD tubing
OD: \pm 0.013 mm (.0005")
ID: \pm 0.013 mm (.0005")

1/16" OD tubing
OD: \pm 0.05 mm (.002")
ID: \pm 0.05 mm (.002")

1/8" OD tubing
OD: \pm 0.10 mm (.004")
ID: \pm 0.10 mm (.004")

3/16" OD tubing
OD: \pm 0.10 mm (0.004")
ID: \pm 0.10 mm (0.004")

1/4" OD tubing
OD: \pm 0.10 mm (0.004")
ID: \pm 0.10 mm (0.004")

Pressure rating
See chart on page 19

Chemical resistance
See chart on page 118, ff

Special Info
Low pressure applications:
Check carefully for gas permeability

Spares & Tools
The VICI Jour Clean-Cut tubing cutter JR-797 gives you burr-free perpendicular cuts (see page 30)

We recommend fingertight and flangeless fittings for your applications
Fingertight page 35–40
Flangeless page 59–63

FEP tubing natural 1/4" OD

Part No.	ID (mm)	Qty/pkg
JR-T-6809	4.35	per m

FEP tubing natural 1 mm OD

Part No.	ID (mm)	Qty/pkg
JR-T-6105-M3	0.50	3 m
JR-T-6105-M10	0.50	10 m
JR-T-6105-M25	0.50	25 m

FEP tubing natural 2 mm OD

Part No.	ID (mm)	Qty/pkg
JR-T-6210-M3	1.0	3 m
JR-T-6210-M10	1.0	10 m
JR-T-6210-M25	1.0	25 m

FEP tubing natural 3 mm OD

Part No.	ID (mm)	Qty/pkg
JR-T-6310-M3	1.0	3 m
JR-T-6310-M10	1.0	10 m
JR-T-6310-M25	1.0	25 m
JR-T-6320-M1	2.0	1 m
JR-T-6320-M3	2.0	3 m
JR-T-6320-M10	2.0	10 m

Other pack sizes and tubing lengths are available on request. Please contact your local distributor or VICI directly.

**Customized tubing on request! Please specify OD and ID.
Minimum Order Quantity 30 m.**

Polymeric Tubing

ETFE Tubing

ETFE tubing 1/32" OD

Part No.	ID (mm)	Qty/pkg
JR-T-084-M3	0.25	3 m
JR-T-084-M10	0.25	10 m
JR-T-084-M25	0.25	25 m

Other pack sizes and tubing lengths are available on request. Please contact your local distributor or VICI directly.

ETFE tubing 1/16" OD

Part No.	ID (mm)	Qty/pkg
JR-T-078-M3	0.17	3 m
JR-T-078-M10	0.17	10 m
JR-T-078-M25	0.17	25 m
JR-T-080-M3	0.25	3 m
JR-T-080-M10	0.25	10 m
JR-T-080-M25	0.25	25 m
JR-T-082-M3	0.50	3 m
JR-T-082-M10	0.50	10 m
JR-T-082-M25	0.50	25 m
JR-T-083-M3	0.75	3 m
JR-T-083-M10	0.75	10 m
JR-T-083-M25	0.75	25 m
JR-T-085-M3	1.00	3 m
JR-T-085-M10	1.00	10 m
JR-T-085-M25	1.00	25 m

Other pack sizes and tubing lengths are available on request. Please contact your local distributor or VICI directly.

Customized tubing on request! Please specify OD and ID.
Minimum Order Quantity 30 m.

SPECS

Material
FEP

Dimensions
See chart

Tolerances
 360 μ m (0.014") OD tubing
 OD: +/- 0.013 mm (.0005")
 ID: +/- 0.013 mm (.0005")

1/32" OD tubing
 OD: +/- 0.013 mm (.0005")
 ID: +/- 0.013 mm (.0005")

1/16" OD tubing
 OD: +/- 0.05 mm (.002")
 ID: +/- 0.05 mm (.002")

1/8" OD tubing
 OD: +/- 0.10 mm (.004")
 ID: +/- 0.10 mm (.004")

3/16" OD tubing
 OD: +/- 0.10 mm (0.004")
 ID: +/- 0.10 mm (0.004")

1/4" OD tubing
 OD: +/- 0.10 mm (0.004")
 ID: +/- 0.10 mm (0.004")

Pressure rating
See chart on page 26

Chemical resistance
See chart on page 118, ff

Special Info
Low pressure applications:
Check carefully for gas permeability

Spares & Tools
The VICI Jour Clean-Cut tubing cutter JR-797 gives you burr-free perpendicular cuts (see page 30)

We recommend fingertight and flangeless fittings for your applications
 Fingertight page 35-40
 Flangeless page 59-63

SPECS

Material

FEP

Dimensions

See chart

Tolerances

360 μm (0.014") OD tubing
 OD: ± 0.013 mm (.0005")
 ID: ± 0.013 mm (.0005")

1/32" OD tubing

OD: ± 0.013 mm (.0005")
 ID: ± 0.013 mm (.0005")

1/16" OD tubing

OD: ± 0.05 mm (.002")
 ID: ± 0.05 mm (.002")

1/8" OD tubing

OD: ± 0.10 mm (.004")
 ID: ± 0.10 mm (.004")

3/16" OD tubing

OD: ± 0.10 mm (0.004")
 ID: ± 0.10 mm (0.004")

1/4" OD tubing

OD: ± 0.10 mm (0.004")
 ID: ± 0.10 mm (0.004")

Pressure rating

See chart on page 26

Chemical resistance

See chart on page 118, ff

Special Info

Low pressure applications:
 Check carefully for gas permeability

Spares & Tools

The VICI Jour Clean-Cut tubing cutter JR-797 gives you burr-free perpendicular cuts (see page 30)

We recommend fingertight and flangeless fittings for your applications
 Fingertight page 35–40
 Flangeless page 59–63

ETFE tubing 1/8" OD

Part No.	ID (mm)	Qty/pkg
JR-T-086-M3	1.59	3 m
JR-T-086-M10	1.59	10 m
JR-T-086-M25	1.59	25 m

Other pack sizes and tubing lengths are available on request.
 Please contact your local distributor or VICI directly

ETFE tubing metric OD

Part No.	OD mm	ID (mm)	Qty/pkg
JR-T-087-M1	3.0	1.0	1 m
JR-T-087-M3	3.0	1.0	3 m
JR-T-088-M1	6.0	4.0	1 m
JR-T-088-M3	6.0	4.0	3 m

Other pack sizes and tubing lengths are available on request.
 Please contact your local distributor or VICI directly.

Customized tubing on request! Please specify OD and ID.
Minimum Order Quantity 30 m.

Recommended maximum working pressure ETFE tubing

OD	ID	bar	psi
1/32"	0.25 mm	152	2200
1/16"	0.17 mm	200	2900
	0.25 mm	186	2700
	0.50 mm	152	2200
	0.75 mm	117	1700
	1.00 mm	83	1200
1/8"	1.59 mm	110	1600
3.0 mm	1.00 mm	138	2000
6.0 mm	4.00 mm	69	1000

Polymeric Tubing

PFA Tubing

PFA tubing natural 360 µm OD

NEW

Part No.	ID	Qty/pkg
JR-T-43650-M1	50 µm	1 m
JR-T-43650-M3	50 µm	3 m
JR-T-43675-M1	75 µm	1 m
JR-T-43675-M3	75 µm	3 m
JR-T-436100-M1	100 µm	1 m
JR-T-436100-M3	100 µm	3 m
JR-T-436150-M1	150 µm	1 m
JR-T-436150-M3	150 µm	3 m

Other pack sizes and tubing lengths are available on request. Please contact your local distributor or VICI directly.

PFA tubing natural 1/16" OD

Part No.	ID (mm)	Qty/pkg
JR-T-4001-M3	0.50	3 m
JR-T-4001-M10	0.50	10 m
JR-T-4001-M25	0.50	25 m
JR-T-4002-M3	0.75	3 m
JR-T-4002-M10	0.75	10 m
JR-T-4002-M25	0.75	25 m
JR-T-4007-M3	1.00	3 m
JR-T-4007-M10	1.00	10 m
JR-T-4007-M25	1.00	25 m

Other pack sizes and tubing lengths are available on request. Please contact your local distributor or VICI directly.

PFA tubing natural 1/8" OD

Part No.	ID (mm)	Qty/pkg
JR-T-4003-M3	1.59	3 m
JR-T-4003-M10	1.59	10 m
JR-T-4003-M25	1.59	25 m
JR-T-4005	1.70	per m

Other pack sizes and tubing lengths are available on request. Please contact your local distributor or VICI directly.

PFA tubing natural 3/16" and 1/4" OD

Part No.	OD	ID (mm)	Qty/pkg
JR-T-4009	3/16"	3.20	per m
JR-T-4004	1/4"	4.35	per m

Other pack sizes and tubing lengths are available on request. Please contact your local distributor or VICI directly.

SPECS

Material
FEP

Dimensions
See chart

Tolerances
360 µm (0.014") OD tubing
OD: +/- 0.013 mm (.0005")
ID: +/- 0.013 mm (.0005")

1/32" OD tubing
OD: +/- 0.013 mm (.0005")
ID: +/- 0.013 mm (.0005")

1/16" OD tubing
OD: +/- 0.05 mm (.002")
ID: +/- 0.05 mm (.002")

1/8" OD tubing
OD: +/- 0.10 mm (.004")
ID: +/- 0.10 mm (.004")

3/16" OD tubing
OD: +/- 0.10 mm (0.004")
ID: +/- 0.10 mm (0.004")

1/4" OD tubing
OD: +/- 0.10 mm (0.004")
ID: +/- 0.10 mm (0.004")

Pressure rating
See chart on page 26

Chemical resistance
See chart on page 118, ff

Special Info
Low pressure applications:
Check carefully for gas permeability

Spares & Tools
The VICI Jour Clean-Cut tubing cutter JR-797 gives you burr-free perpendicular cuts (see page 30)

We recommend fingertight and flangeless fittings for your applications
Fingertight page 35–40
Flangeless page 59–63

SPECS

Material
FEP

Dimensions
See chart

Tolerances
360 μm (0.014") OD tubing
OD: \pm 0.013 mm (.0005")
ID: \pm 0.013 mm (.0005")

1/32" OD tubing
OD: \pm 0.013 mm (.0005")
ID: \pm 0.013 mm (.0005")

1/16" OD tubing
OD: \pm 0.05 mm (.002")
ID: \pm 0.05 mm (.002")

1/8" OD tubing
OD: \pm 0.10 mm (.004")
ID: \pm 0.10 mm (.004")

3/16" OD tubing
OD: \pm 0.10 mm (0.004")
ID: \pm 0.10 mm (0.004")

1/4" OD tubing
OD: \pm 0.10 mm (0.004")
ID: \pm 0.10 mm (0.004")

Pressure rating
See chart on page 26

Chemical resistance
See chart on page 118, ff

Special Info
Low pressure applications:
Check carefully for gas permeability

Spares & Tools
The VICI Jour Clean-Cut tubing cutter JR-797 gives you burr-free perpendicular cuts (see page 30)

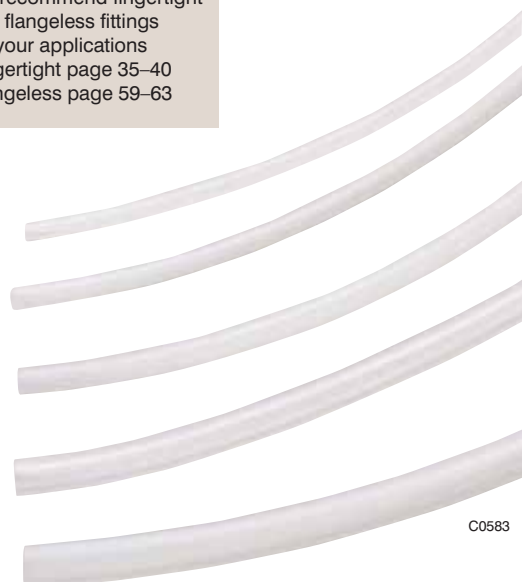
We recommend fingertight and flangeless fittings for your applications
Fingertight page 35–40
Flangeless page 59–63

PTFE Tubing

PTFE tubing – natural

Part No.	OD	ID (mm)	Qty/pkg
JR-T-6805-M3	1/16"	0.18	3 m
JR-T-6805-M5	1/16"	0.18	5 m
JR-T-6805-M10	1/16"	0.18	10 m
JR-T-6805-M25	1/16"	0.18	25 m
JR-T-4011-M3	1/16"	0.25	3 m
JR-T-4011-M5	1/16"	0.25	5 m
JR-T-4011-M10	1/16"	0.25	10 m
JR-T-4011-M25	1/16"	0.25	25 m
JR-T-4183-M3	1/16"	0.50	3 m
JR-T-4183-M5	1/16"	0.50	5 m
JR-T-4183-M10	1/16"	0.50	10 m
JR-T-4183-M25	1/16"	0.50	25 m
JR-T-4036-M3	1/16"	0.75	3 m
JR-T-4036-M5	1/16"	0.75	5 m
JR-T-4036-M10	1/16"	0.75	10 m
JR-T-4036-M25	1/16"	0.75	25 m
JR-T-6807-M3	1/16"	1.00	3 m
JR-T-6807-M5	1/16"	1.00	5 m
JR-T-6807-M10	1/16"	1.00	10 m
JR-T-6807-M25	1/16"	1.00	25 m
JR-T-6800-M3	1/8"	1.59	3 m
JR-T-6800-M5	1/8"	1.59	5 m
JR-T-6800-M10	1/8"	1.59	10 m
JR-T-6800-M25	1/8"	1.59	25 m
JR-T-4037-M3	1/8"	2.40	3 m
JR-T-4037-M5	1/8"	2.40	5 m
JR-T-4037-M10	1/8"	2.40	10 m
JR-T-4037-M25	1/8"	2.40	25 m
JR-T-6810	1/4"	4.75	per m
JR-T-6801-M3	2.00 mm	1.70	3 m
JR-T-6801-M10	2.00 mm	1.70	10 m
JR-T-6801-M25	2.00 mm	1.70	25 m
JR-T-4039-M3	4.00 mm	3.00	3 m
JR-T-4039-M5	4.00 mm	3.00	5 m
JR-T-4041	4.76 mm	3.76	per m

Other pack sizes and tubing lengths are available on request. Please contact your local distributor or VICI directly.



C0583

Polymeric Tubing

PTFE tubing – Solid Color-Coded

Part No.	OD	ID (mm)	Qty/pkg	color
JR-T-4011C-M3	1/16"	0.25	3 m	blue
JR-T-4011C-M10	1/16"	0.25	10 m	blue
JR-T-4011C-M25	1/16"	0.25	25 m	blue
JR-T-6808-M3	1/16"	0.25	3 m	black
JR-T-6808-M10	1/16"	0.25	10 m	black
JR-T-6808-M25	1/16"	0.25	25 m	black
JR-T-4183C-M3	1/16"	0.50	3 m	orange
JR-T-4183C-M10	1/16"	0.50	10 m	orange
JR-T-4183C-M25	1/16"	0.50	25 m	orange
JR-T-6811-M3	1/16"	0.50	3 m	black
JR-T-6811-M10	1/16"	0.50	10 m	black
JR-T-6811-M25	1/16"	0.50	25 m	black
JR-T-4036C-M3	1/16"	0.75	3 m	green
JR-T-4036C-M10	1/16"	0.75	10 m	green
JR-T-4036C-M25	1/16"	0.75	25 m	green

Other pack sizes and tubing lengths are available on request. Please contact your local distributor or VICI directly.

Recommended maximum working pressure PFA tubing

OD	ID	bar	psi	OD	ID	bar	psi	
360 μ m	50 μ m	103	1500	1/8"	1.59 mm	72	1050	
	75 μ m	96	1400		1.70 mm	65	940	
	100 μ m	90	1300					
	150 μ m	75	1100		3/16"	3.20 mm	41	600
1/16"	0.50 mm	100	1450	1/4"	4.35 mm	45	650	
	0.75 mm	76	1100					
	1.00 mm	55	800					

Recommended maximum working pressure PTFE tubing

OD	ID	bar	psi
1/16"	0.18 mm	62	900
	0.25 mm	55	800
	0.50 mm	48	700
	0.75 mm	37	550
1/8"	1.00 mm	25	350
	1.59 mm	35	500
1/4"	4.75 mm	18	250
	4.75 mm	17	250
2 mm	1.70 mm	10	150
4 mm	3.00 mm	17	250
4.76 mm	3.76 mm	14	200



SPECS

Material
FEP

Dimensions
See chart

Tolerances
360 μ m (0.014") OD tubing
OD: \pm 0.013 mm (.0005")
ID: \pm 0.013 mm (.0005")

1/32" OD tubing
OD: \pm 0.013 mm (.0005")
ID: \pm 0.013 mm (.0005")

1/16" OD tubing
OD: \pm 0.05 mm (.002")
ID: \pm 0.05 mm (.002")

1/8" OD tubing
OD: \pm 0.10 mm (.004")
ID: \pm 0.10 mm (.004")

3/16" OD tubing
OD: \pm 0.10 mm (0.004")
ID: \pm 0.10 mm (0.004")

1/4" OD tubing
OD: \pm 0.10 mm (0.004")
ID: \pm 0.10 mm (0.004")

Pressure rating
See chart on page 26

Chemical resistance
See chart on page 118, ff

Special Info
Low pressure applications:
Check carefully for gas permeability

Spares & Tools
The VICI Jour Clean-Cut tubing cutter JR-797 gives you burr-free perpendicular cuts (see page 30)

We recommend fingertight and flangeless fittings for your applications
Fingertight page 35–40
Flangeless page 59–63



SPECS

Material

Tubing: FEP + PVDF
 Insert: PCTFE
 Ferrule: ETFE
 Fitting: PPS

Dimensions

OD: 1/8"
 ID: 1.65 mm

Tolerances

OD: +/- 0.05 mm (.002")
 ID: +/- 0.05 mm (.002")

Pressure rating

Low pressure only

Special info

Use the special designed PCTFE insert (P/N JR-6141-10) to prevent solvent contact of the PVDF layer

Due to the limited chemical resistance of PVDF, the impermeable tubing should not be used inside a solvent reservoir; use a FEP or PFA tubing

Impermeable Tubing

- Prevents 're-gassing'
- Excellent chemical resistance

Do you have problems with gas-bubbles in your low pressure mobile phase transfer lines, even after your degasser? Very probably you are using PTFE tubing for these transfer lines. PTFE has a very good chemical resistance but has micro pores which allow gases to diffuse freely. We therefore created the Impermeable Tubing. A FEP (PTFE like) tubing is coated on the outside with PVDF tubing. FEP has excellent chemical resistance, but micro pores are present in the tubing wall (like PTFE). PVDF on the other hand is a very tight polymer, no micro pores can be observed, but it lacks chemical resistance.

Co-extruded Impermeable Tubing will combine the two features of FEP and PVDF in the most positive manner, ensuring that degassed solvent will stay degassed until it reaches the HPLC pump. The PVDF-layer can easily be removed (using e.g. VICI Jour P/N 797 Clean-Cutter or a razor blade) and stripped from the FEP so only FEP will be in contact with solvent i.e. in the solvent reservoir. For connecting the Impermeable Tubing we also designed a special PCTFE (KEL-F) tubing insert (P/N 6141) to prevent solvent contact of the PVDF layer at the end when making connections. This insert fits into the ID of the tubing and seals against the bottom of the port.



Impermeable tubing

Part No.	Description	Qty/pkg
JR-T-6130-M3	Tubing, impermeable 1/8" x 1.65 mm ID	3 m
JR-T-6130-M10	Tubing, impermeable 1/8" x 1.65 mm ID	10 m
JR-6140	Impermeable fitting kit contains: 2 pcs PCTFE inserts, 2 pcs PPS nuts and 2 pcs ETFE ferrules	1

Spare Parts

Part No.	Description	Qty/pkg
JR-6141-10	Insert, PCTFE, for impermeable tubing	10
JR-55071-10	Nut, flangeless 1/8", 1/4"-28	10
JR-55083-10	Adapter, PP, fingertight sleeve, black	10
JR-051-10	Ferrule, ETFE, 1/8"	10

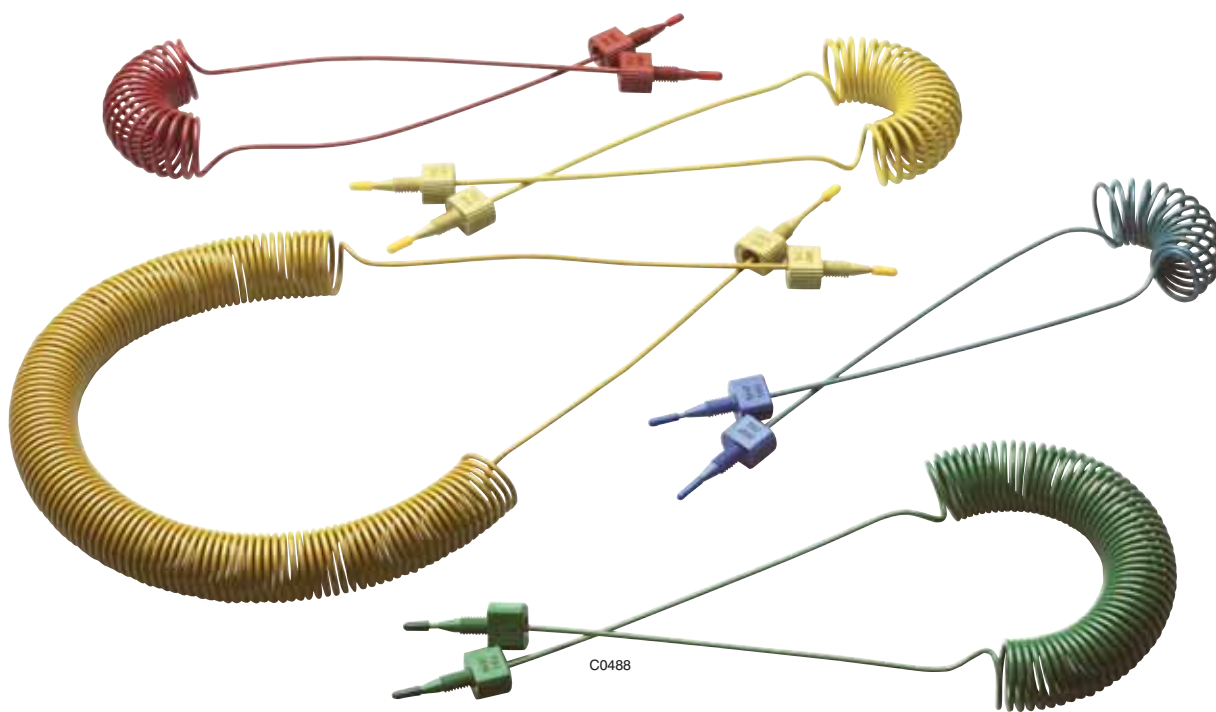
Thermo-Formed Polymeric Tubing

Thermo-Formed Polymeric Tubing

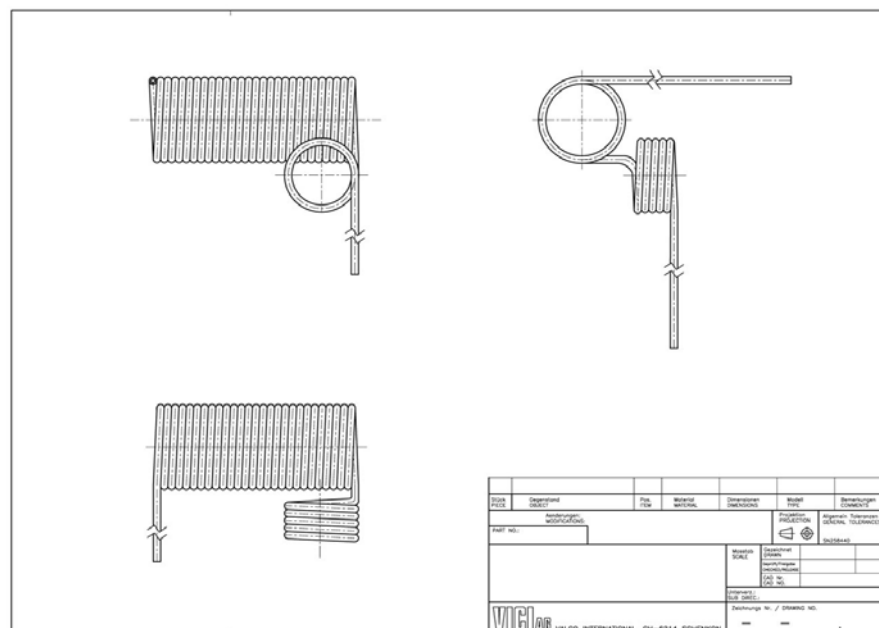
- Various polymeric tubing
- Telephone cables and customer specific items
- Axial flexibility

VICI offers thermoformed tubing in various geometric shapes. Straight tubing, spirals or even more complex forms, just define form and material on a drawing.

The form maintains shape if the temperature does not exceed 100°C. Contact your local distributor or VICI directly for a quotation.



810 000



PEEK Tubing Elbows & Tubing Clip – The LC Tubing Organizer

SPECS

Material
Polypropylene

Dimension
For OD 1/16" PEEK tubing

PEEK Tubing Elbows

- Ideal for routing 1/16" OD PEEK tubing
- For optimum radius, prevents kinking
- 90° and 180° elbows

PEEK Tubing Elbows

Part No.	Description
JR-357090	Tubing Elbow 90°
JR-357180	Tubing Elbow 180°



SPECS

Material
Polypropylene and Stainless Steel spring

Dimensions
For OD 1/16" and 1/8" tubing

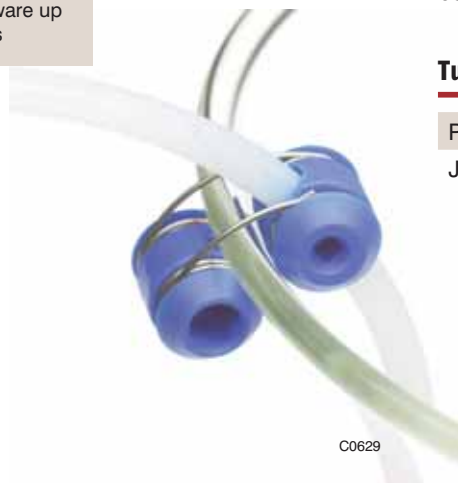
Special Info
Clip fitted with a SS spring suitable for glassware up to 4 mm thickness

Tubing Clip – The LC Tubing Organizer

- Fixes 1/16" and 1/8" to beakers, flasks or bottles

Here is a convenient small device for the busy chromatographer. The Tubing Clip, which holds both your 1/16" and 1/8" polymer tubing precisely where they should be in your beakers, flasks and bottles etc. up to 4 mm wall thickness.

The stainless steel spring keeps your Tubing Clip working for a long period of time and helps you keep your solvent line in the solvent.



Tubing Clip

Part No.	Description
JR-9001	Tubing Clip

Stainless Steel Tubing Cutter & Stainless Steel Tubing Pliers

Clean-Cut Polymer Tubing Cutter

- Cuts PEEK, PTFE, ETFE and other polymeric tubing
- No distortion of OD or closing of ID
- Safety lock secures the blade

It is difficult to obtain burr-free perpendicular cuts on polymeric tubing. The Clean-Cut is a tool for the most demanding LC applications which will do the job without distorting the outside diameter and or closing the inside diameter of the tubing.

It is designed to cut PTFE, ETFE and polymers in general and PEEK capillary tubing in particular. The compact design allows every chromatographer to have it in his pocket. A unique safety locking mechanism secures the blade when not in use. Right angles and clean cuts are essential in LC to avoid leaks and dead volume.

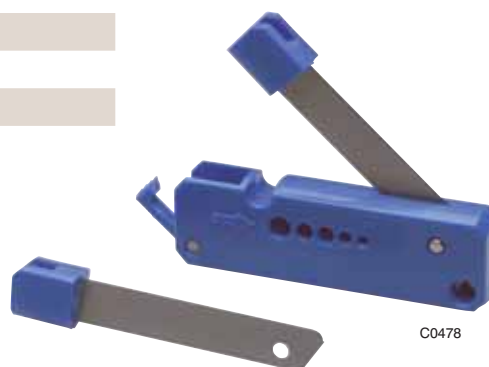
SPECS

Use

Insert the tubing into the cutter, press the blade on the tubing, rotate the tubing while pressing the blade to get a clean cut

Clean-Cut Polymer Tubing Cutter

Part No.	Description
JR-797	Clean-Cut Tubing Cutter
JR-798	Replacement blade for JR-797

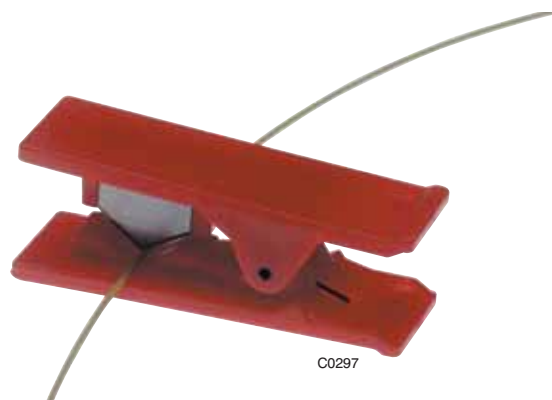


Guillotine Polymer Tubing Cutter

- Cuts PEEK, PTFE, ETFE and other polymeric tubing

Guillotine Polymer Tubing Cutter

Part No.	Description
JR-794	Guillotine Cutter for polymer tubing
JR-795	Replacement blade for JR-794



Stainless Steel Tubing Cutter & Stainless Steel Tubing Pliers

SPECS

Tech Tip

Between sample injector, column and detector electrolytically cut and steam cleaned SS tubing should be used

SS Pre-Cut tubing
(see page 14–15)

Use The File JR-802
to deburr the cuts
(see page 56)



Stainless Steel Tubing Cutter

- For 1/16" an 1/8" SS tubing
- Leaves smooth, uniform cuts
- Minimum deburring and/or reaming required
- Easy replacement of the cutting wheel

This is the ideal tool for cutting 1/16" and 1/8" stainless steel tubing, leaving smooth, uniform cuts with a minimum of deburring and/or reaming. The easily replaced cutting wheel scores tubing. The result are cuts which allow tube-to-tube and tube-to-frit connections.

Stainless Steel Tubing Cutter

Part No.	Description
JR-792	Tubing Cutter for metal tubing
JR-793	Replacement cutter wheel for JR-792

Stainless Steel Tubing Pliers

- For easy cutting 1/16" OD SS tubing off a coil
- Reaches "Hard-To-Get" places in a HPLC-system
- Delivered in a plastic sheath

The pliers type of cutter can be used for quick cuts for non-critical applications or at 'hard to get' places. However for scientific equipment the use of Pre-Cut and clean tubing is strongly recommended.

Stainless Steel Tubing Pliers

Part No.	Description
JR-796	Tubing Pliers for metal tubing



C0294

Easy-Flange & Easy-Flange Combi-Kits

Easy-Flange & Easy-Flange Combi-Kits

- Handy tool for perfect flanges
- No heat or electricity required
- No contamination

The Easy-Flange flange-rolling tool has been developed for fittings requiring a flange and is suitable for PTFE and PTFE like tubes with OD between 1/16" and 1/8".

The tool forms the flange by applying a mechanical force and does not require electrical power. The quality of the flange is considerably improved since the flanges are formed without stressing the tub-

ing by heat and because the specially designed negative conical profile of the flange forming part gives a shape ideal for maximum sealing properties. The Easy-Flange-Combi Kit is an upgraded version of our standard Easy-Flange Kit, which comes complete with PTFE tubing, PPS nuts and Polypropylene O-rings.

SPECS

Spares & Tools

Flanged fittings
see pages 60 and 64
Polymeric tubing
see pages 17-27



Easy-Flange Kit

Part No.	Description	Qty
JR-201540	Easy-Flange, kit in plastic case, complete with the following parts:	
JR-201540L	Plastic Box	1 pc
JR-202235	Flanging disc with 0.5 mm SS pin for PEEK tubing	1 pc
JR-201541	Flanging disc with 0.8 mm polymer pin	1 pc
JR-201554	Flanging disc with 0.8 mm Titanium pin	1 pc
JR-201536	Flanging disc with 1.3 mm polymer pin	1 pc
JR-201537	Flanging disc with 1.3 mm Titanium pin	1 pc
JR-797	Tool, Clean-Cut tubing Cutter	1 pc
JR-T-4036-M3	Tubing, PTFE, 1/16" x 0.75 mm ID, 3 m/pkg	1 pkg

Easy-Flange & Easy-Flange Combi-Kits

SPECS

Spares & Tools
 Flanged fittings
 see pages 60 and 64
 Polymeric tubing
 see pages 17–27

Easy-Flange Combi Kit

Part No.	Description	Qty
JR-201539	Easy-Flange, combi kit in plastic case complete with the following parts:	
JR-202235	Flanging disc with 0.5 mm SS pin for PEEK tubing	1 pc
JR-201541	Flanging disc with 0.8 mm polymer pin	1 pc
JR-201554	Flanging disc with 0.8 mm Titanium pin	1 pc
JR-201536	Flanging disc with 1.3 mm polymer pin	1 pc
JR-201537	Flanging disc with 1.3 mm Titanium pin	1 pc
JR-797	Tool, Clean-Cut tubing Cutter	1 pc
JR-55060-10	Nut, PPS, flanged 1/16", 1/4"-28, 10/pkg	1 pkg
JR-201926-10	Ring, PP, flanged 1/16", 10/pkg	1 pkg
JR-55061-10	Nut, PPS, flanged 1/8", 1/4"-28, 10/pkg	1 pkg
JR-201928-10	Ring, PP, flanged 1/8", 10/pkg	1 pkg
JR-5508X-24	Adapter, PP, fingertight sleeve, assorted 2 pcs. per color, 24/pkg	1 pkg
JR-T-4036-M3	Tubing, PTFE, 1/16" x 0.75 mm ID, 3 m/pkg	1 pkg
JR-T-6800-M3	Tubing, PTFE, 1/8" x 1/16" ID, 3 m/pkg	1 pkg

Easy-Flange Spare Parts & Options

Part No.	Description
JR-201541	Flanging disc with 0.8 mm polymer pin
JR-201554	Flanging disc with 0.8 mm Titanium pin
JR-201662	Flanging disc with 1.0 mm polymer pin
JR-202235	Flanging disc with 0.5 mm SS pin for PEEK tubing
JR-201536	Flanging disc with 1.3 mm polymer pin
JR-201537	Flanging disc with 1.3 mm Titanium pin
JR-201663	Flanging disc with 1.5 mm polymer pin
JR-201531	Flanging clamp pair
JR-797	Tool, Clean-Cut tubing Cutter

